

EDELSTAHL - Stirnkegelrad

Full stainless steel helical bevel gearboxes

This range is ip69K   nsF_o certified
component



EDELSTAHL - Stirnkegelrad

Full stainless steel helical bevel gearboxes

Type <i>Tipo</i>	Torque <i>Coppia</i>	Center distance <i>Interasse</i>	Input power <i>Potenza in entrata</i>	Hollow output shaft <i>Albero cavo in uscita</i>
X62I	410 Nm	-	0.75 ÷ 4.0 kW	ø35



This product is:



Output shaft in AISI 316L and special cover for full seals protection.



Closed protection cap with o-ring in AISI 316L.



Special high tech full stainless steel housing with accurate finishing and strong rigidity.



Fully modular IEC flanges and compact NEMA C motor flanges.



Stainless steel 316L hollow input/output shaft. Viton seals with stainless steel 316L shield.



Hardened and ground gears.

X62I

410 Nm

EDELSTAHL - Stirnkegelrad

Full stainless steel helical bevel gearboxes

The dynamic efficiency is

Input speed (n₁) = 1400 min⁻¹

Output speed n ₂ [min ⁻¹]	Ratio i	Motor power P _{1M} [kW]	Output torque M _{2M} [Nm]	Service factor f.s	Nominal power P _{1R} [kW]	Nominal torque M _{2R} [Nm]	B5 motor flanges			B14 motor flanges		Output shaft ø	Ratio code
							-	-	-U	-R	-T		
232	6.03	4	155	1.6	6.1	240	-	-	-U	-R	-T	3011	01
151	9.26	4	238	1.1	4.5	270	-	-	-100-112	80	90	308	02
123	11.36	4	291	1.2	4.7	350						2011	03
91	15.36	4	394	1.0	3.8	385						1611	04
80	17.46	4	448	0.9	3.5	400						208	05
70	19.97	3	386	1.1	3.1	410						1311	06
59	23.60	3	456	0.9	2.7	410						168	Standard 07
57	24.45	3	472	0.9	2.6	410						1111	08
45.6	30.69	2.2	436	0.9	2.0	410						138	09
39.6	35.35	1.5	346	1.2	1.8	410						811	10
37.3	37.57	1.5	368	1.1	1.7	410						118	11
28.8	48.68	1.1	348	1.0	1.1	365						611	12
25.8	54.33	1.1	389	1.1	1.2	410						88	13
18.7	74.81	0.75	367	1.0	0.73	360						68	14

Motor flanges available
Flange motore disponibili

B) Supplied with reduction bushing
Fornito con Bussola di Riduzione

B) Available on request without reduction bushing
Disponibile a Richiesta senza Bussola di Riduzione

C) Motor flange holes position
Posizione Fori Flangia Motore

Lubrication

Lubrificazione

Unit X62I is supplied with synthetic oil to assure long life lubrication. Food grade oil is available on request.

See Table 1 for lubrication and recommended quantity.

See Table 2 for possible radial and axial loads on the gearbox.

Il riduttore tipo X62I viene fornito con olio sintetico e lubrificazione tipo "long life".

Disponibile a richiesta olio alimentare.

Vedi Tabella 1 per oli e quantità consigliati.

Vedi Tabella 2 per i carichi radiali e assiali applicabili al riduttore.

Agip Tellium VSF 320	Shell Omala S4 WE 320	V8 On request ASK	
B3 Standard 1.85 LT		B8 On request 2.00 LT	
B6 On request 2.00 LT		V5 On request 3.35 LT	
B7 On request 1.70 LT		V6 On request 2.30 LT	

0.96 for all ratios

For more details on lubrication and plugs check our website.

Per maggiori dettagli su lubrificazione e tappi olio vedi il nostro sito web.

Tab. 1

Radial and axial loads

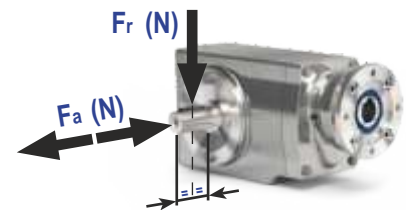
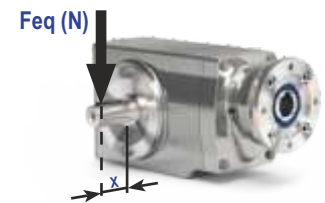
Carichi radiali e assiali

Output shaft

Albero di uscita

n ₂ [min ⁻¹]	F _A [N]	F _R [N]
250	600	3000
150	700	3500
100	780	3900
75	890	4450
50	1140	5700
25	1330	6650
15	1660	8300

$$F_{eq} = F_r \cdot \frac{69}{X + 39}$$



Tab. 2

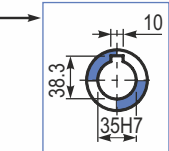
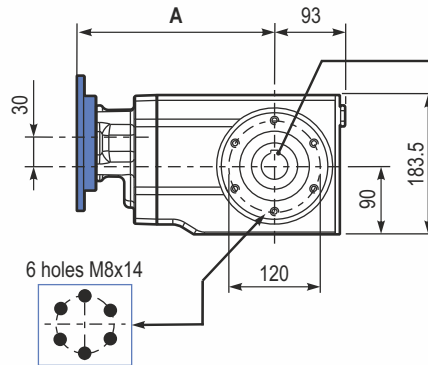
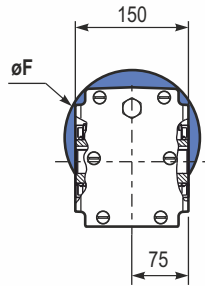
410
Nm

X62I

PX62II... Basic gearbox
Riduttore base

Gearbox weight
peso riduttore **25.8 kg**

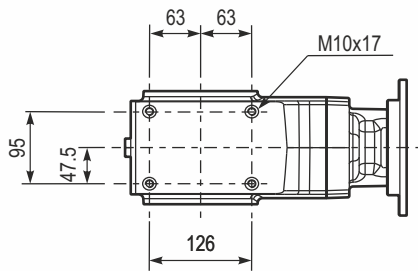
M. flanges	Kit code	øF	A
80B14	KI854046	120	255
90B14	KI854045	140	255
100-112B14	KI854041	160	264



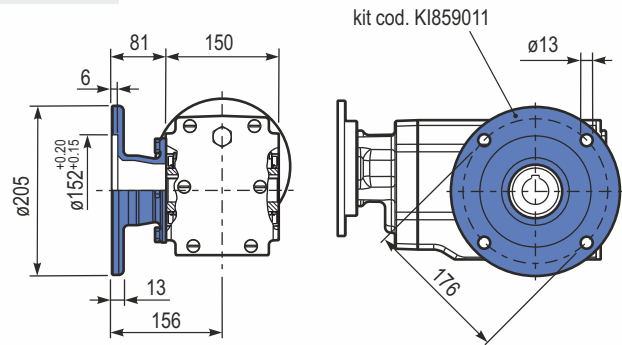
Standard Hollow shaft
Foro in uscita standard

Mounting holes position
Posizione fori di montaggio

PX62I-FB.. Feet
Piedini

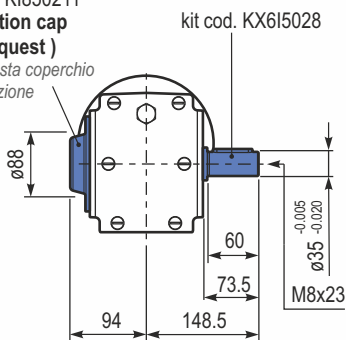


PX62I-FL.. Output flange
Flangia uscita



PX62I..A.. Single output shaft
Albero semplice in uscita

kit cod. KI850211
Protection cap
(on request)
A richiesta coperchio di protezione



PX62I BR.. Reaction Arm
Braccio di reazione

